



CONCRETE CRUSHER

CC580

Compact and powerful!

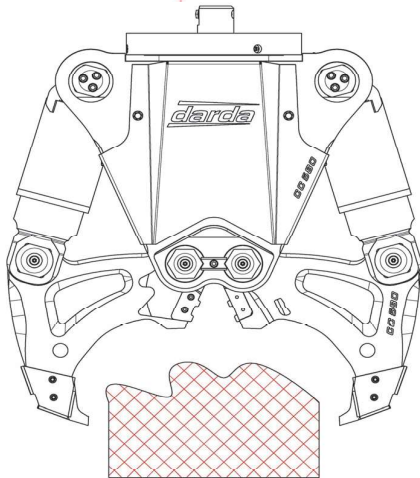
Technical Data

Dimensions		
Length x width x height ¹	967 x 934 x 395 mm	38 x 36 x 15,5 in
Distance between crusher tips, max.	560 mm	22 in
Weight		
Total weight ¹	360 kg	794 lbs
Recommended weight of carrier, max. ²	5,5 - 9 t	12125 - 19842 lbs
Hydraulic connection		
Pressure max.	250 bar	3626 psi
Oil flow max.	100 l/min	27 gal/min
Performance		
Crushing force A max.	530 kN (54 t)	119050 lb
Crushing force B max.	667 kN (78 t)	171961 lb
Crushing force C max.	814 kN (95 t)	209439 lb
Cutting capacity max.	1x Ø30 mm	1x Ø1,2 in

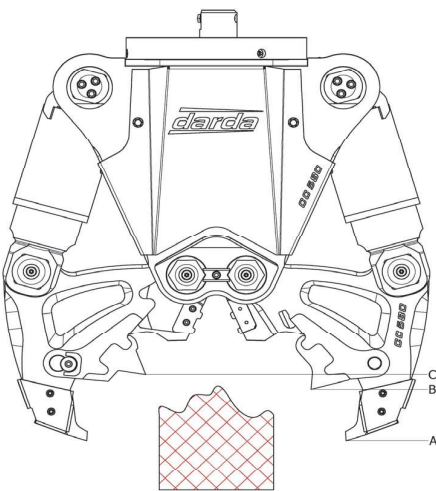
¹ Value without support plate

² Depends on carrying capacity table of the mini-excavator manufacturer

[Mounting plates of different carriers on request](#)



Crusher with standard tips



Crusher with additional teeth



darda

We've got the power.

Darda GmbH
Im Tal 1, D-78176 Blumberg
Fon + 49 (0) 77 02 / 43 91 - 0
Fax + 49 (0) 77 02 / 43 91 - 12
info@darda.de
www.darda.de

Our distributor: